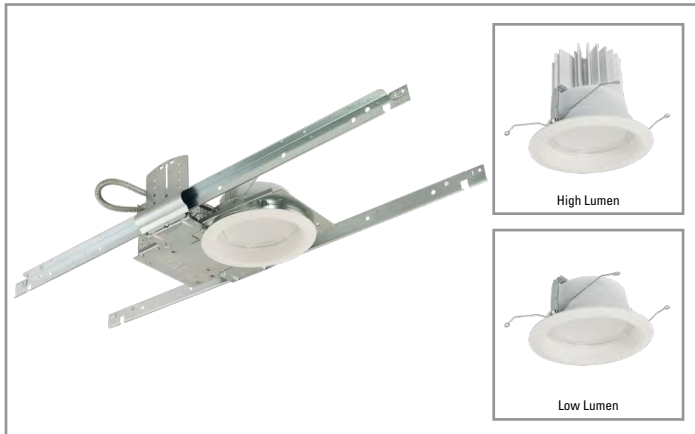


Project		Catalog #		Type	
Prepared by		Notes		Date	



HALO Commercial

PR4 | PR4M

4-inch LED self-flanged, lensed downlight and wall wash

Typical Applications

Office • Healthcare • Hospitality • Institutional

Interactive Menu

- Order Information page 2
- Product Specifications page 3
- Photometric Data page 4
- Energy & Performance Data page 6
- Connected Systems page 7
- Product Warranty

Product Certification



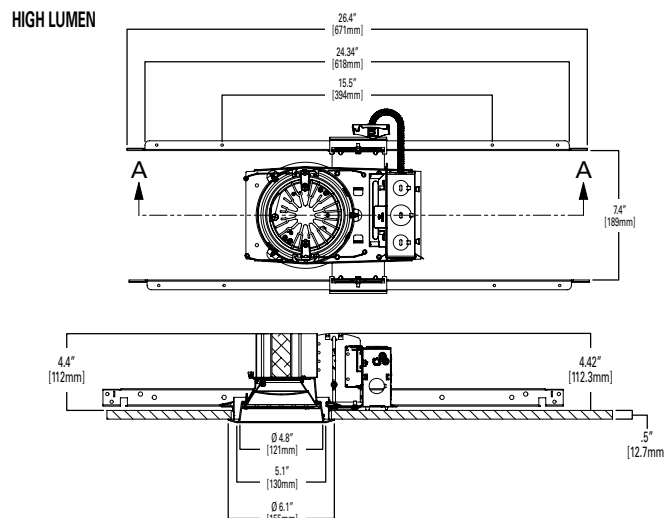
Product Features



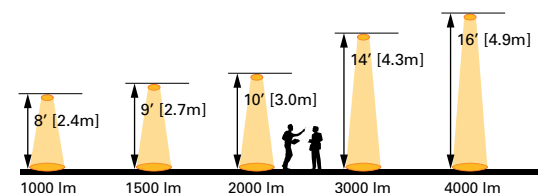
Top Product Features

- Selectable lumens 1000/1500/2000 and 2000/3000/4000
- SeleCCTable color temperature 3000K/3500K/4000K
- Available in 80 CRI or 90 CRI
- Medium / Wide beam distribution reversible “flip” lens
- Wall wash accessory kit

Dimensional and Mounting Details



Scale



Nominal values for 15 - 20 footcandles at nadir.

additional product diagrams

Order Information

Icon Key: ▲ Configurable Product

SAMPLE ORDER NUMBER: **PR4FS24D010REM7 – PR4M24MD8FSMW**

A complete luminaire consists of a mounting frame and LED module ordered separately, with optional accessories as noted.

Mounting Frame	Lumens	Input / Control	Options	Accessories
Standard Driver 120-277VAC, 0-10V analog dimming				
<p>PR4 = 4" aperture new construction / remodeler housing frame</p> <p>PR4CP = 4" aperture new construction / remodeler housing frame, CCEA Chicago Plenum rated</p>	<p>Field Selectable</p> <p>FS12 = field selectable 1000, 1500 and 2000 lumens (nominal), use with PR4M12* LED modules only ⁽⁴⁾</p> <p>FS24 = field selectable 2000, 3000 and 4000 lumens (nominal), use with PR4M24* LED modules only ⁽⁴⁾</p> <p>Discrete (fixed) Factory Set ⁽⁵⁾</p> <p>10 = 1000 lumens (nominal), use with PR4M12* LED modules only</p> <p>15 = 1500 lumens (nominal), use with PR4M12* LED modules only</p> <p>30 = 3000 lumens (nominal), use with PR4M24* LED modules only</p>	<p>D010 = 120-277VAC 50/60Hz, 0-10V analog, 1%-100% dimming</p>	<p>REM7 = integral 7 watt emergency battery pack with remote test / indicator light, use with D010 only ⁽¹⁾</p> <p>REM14 = integral 14 watt emergency battery pack with remote test / indicator light, use with D010 only ⁽¹⁾</p> <p>BOD7ST = 7.5 watt Bodine self-test diagnostic emergency module with remote test / indicator light, use with D010 only ⁽¹⁾</p> <p>WTA = Factory installed WaveLinX Sensor Kit ⁽¹⁾⁽³⁾</p> <p>WTK = Factory installed WaveLinX Lite Sensor Kit ⁽¹⁾⁽⁷⁾</p>	<p>HB128APK = L-channel "No Fuss" hanger bar, 26", pair (replacement)</p> <p>RMB22 = Adjustable wood joist mounting bars, pair, extend 22" long</p> <p>H347 = 347 to 120V step down transformer, 75VA</p> <p>H347200 = 347 to 120V step down transformer, 200VA</p> <p>WTA = Field installed WaveLinX Sensor Kit ⁽¹⁾⁽³⁾</p> <p>WTK = Field installed WaveLinX Lite Sensor Kit ⁽¹⁾⁽⁷⁾</p>
Notes	Notes	Notes	Notes	Notes
	<p>(4) FS12 factory preset 2000 lumens in PR4M12 LED module. FS24 factory preset 4000 lumens in PR4M24 LED module.</p> <p>(5) Driver has fixed lumen output. Lumen selector switch on LED modules do not change lumens in fixed output housings.</p>		<p>(1) Not available for Chicago Plenum</p> <p>(3) WTA = WaveLinX tile mount sensor kit for daylight dimming, PIR motion sensing, and optional RLTS - Real Time Location Services, use with D010 only (Refer to WaveLinX system specifications)</p> <p>(7) WTK = WaveLinX Lite tile mount sensor kit for daylight dimming, PIR motion sensing, use with D010 only (Refer to WaveLinX Lite system specifications)</p>	<p>(1) Not available for Chicago Plenum</p> <p>(3) WTA = WaveLinX tile mount sensor kit for daylight dimming, PIR motion sensing, and optional RLTS - Real Time Location Services, use with D010 only (Refer to WaveLinX system specifications)</p> <p>(7) WTK = WaveLinX Lite tile mount sensor kit for daylight dimming, PIR motion sensing, use with D010 only (Refer to WaveLinX Lite system specifications)</p>

Mounting Frame	Lumens	Input / Control	Options	Accessories
DLV Driver Distributed Low Voltage Power System				
<p>PR4 = 4" aperture new construction / remodeler housing frame with DLVP driver</p>	<p>10 = 1000 lumens (nominal), use with PR4M12* LED modules only</p> <p>15 = 1500 lumens (nominal), use with PR4M12* LED modules only</p> <p>20 = 2000 lumens (nominal), use with PR4M12* LED modules or with PR4M24* LED modules</p> <p>30 = 3000 lumens (nominal), use with PR4M24* LED modules only</p> <p>40 = 4000 lumens (nominal), use with PR4M24* LED modules only</p>	<p>DLV = distributed low voltage dimming driver (1%-100%)</p> <p>For use with DLVP system. Refer to DLVP low-voltage power module and DLVP specifications for details. ⁽¹⁾</p>	<p>REM7V = 7 watt emergency battery pack with remote test / indicator light, use with DLV only ⁽¹⁾⁽²⁾</p> <p>REM14V = 14 watt emergency battery pack with remote test / indicator light, use with DLV only ⁽¹⁾⁽²⁾</p>	<p>HB128APK = L-channel "No Fuss" hanger bar, 26", pair (replacement)</p> <p>RMB22 = Adjustable wood joist mounting bars, pair, extend 22" long</p>
Notes	Notes	Notes	Notes	Notes
<p>(1) Not available for Chicago Plenum</p>	<p>(6) DLV driver has fixed lumen output. Lumen selector switch on LED modules do not change lumens in fixed output housings.</p>	<p>(1) Not available for Chicago Plenum</p>	<p>(1) Not available for Chicago Plenum</p> <p>(2) ULus for U.S. only</p>	

LED Module	Lumen Range	Distribution	CRI / CCT	Finish	Accessories
<p>PR4M = 4" aperture LED module with self-flanged shallow reflector.</p> <p>For use with PR4 series housing frames, retrofit frames, and surface cylinders</p>	<p>12 = field selectable 1000, 1500 and 2000 lumens (nominal). Factory pre-set for 2000 lumens.</p> <p>Use with PR4FS12*, PR410*, PR415*, PR420* mounting frames only.</p> <p>24 = field selectable 2000, 3000 and 4000 lumens (nominal).</p> <p>Factory pre-set for 4000 lumens.</p> <p>Use with PR4FS24*, PR420*, PR430*, PR440* mounting frames only.</p>	<p>MD = medium / wide beam reversible "flip" lens. Factory set for medium. Tool-less twist-to-lock flip changes from medium to wide distribution.</p> <p>Medium distribution (70°, 1.01 SC)</p> <p>Wide distribution (107°, 1.61 SC)</p>	<p>Field Selectable</p> <p>8FS = 80 CRI (minimum) with field selectable 3000K, 3500K and 4000K CCT (nominal). Factory pre-set for 3500K.</p> <p>9FS = 90 CRI (minimum) with field selectable 3000K, 3500K and 4000K CCT (nominal). Factory pre-set for 3500K.</p> <p>Discrete (fixed) Factory Set</p> <p>827 = 80 CRI (minimum) 2700K</p> <p>927 = 90 CRI (minimum) 2700K</p> <p>850 = 80 CRI (minimum) 5000K</p> <p>950 = 90 CRI (minimum) 5000K</p>	<p>MW = matte white ring / self-flanged reflector</p> <p>MMS = matte metallic silver ring / self-flanged reflector</p> <p>BZ = bronze ring / self-flanged reflector</p>	<p>PR4WW = 4" wall wash optic, field installed</p> <p>PR4MDWD = 4" reversible medium / wide distribution - replacement lens</p> <p>OT450P = Oversize metal retrofit ring with 5.5" ID opening, 8" OD flange, matte white finish</p>
Notes	Notes	Notes	Notes	Notes	Notes

Product Specifications

Frame

- Boat shaped galvanized steel plaster frame with adjustable plaster lip accommodates 1/2" to 1-1/2" thick ceilings
- May be installed in new construction; or from below the ceiling in non-accessible ceilings and in remodeling
- Provided with (2) remodel clips to secure the frame to the ceiling when using frame as a remodeler

Universal Mounting Bracket

- Mounting bracket adjusts 2" vertically from above the ceiling or thru the aperture
- Use with No Fuss™ bar hangers (included) or with 1/2" EMT (by others)
- Removable for installation from below the ceiling when using frame as a remodeler

Mounting Bars

- Captive preinstalled No Fuss™ mounting bars lock to tee grid with screwdriver or pliers
- Centering mechanism allows for consistent positioning of fixtures

LED Module

- Integrated self-flanged reflector with multiple finish options
- Patented SeleCCTable™ color temperature technology and selectable lumen output for selection in the field
- Integrated dip switches for color and lumen selection
- Field Selectable CCT 3000K / 3500K / 4000K
- Discrete (Fixed) CCT options in 2700K and 5000K
- Low and high selectable lumen ranges:
 - Low Lumen: 1000lm / 1500lm / 2000lm (nominal)
 - High Lumen: 2000lm / 3000lm / 4000lm (nominal)
- Discrete (fixed) lumen models in 1000lm, 1500lm, 3000lm (nominal); use to meet lighting power density codes
- Available in 80 CRI or 90 CRI (nominal) with color accuracy within 3 SDCM
- LED array uses a plurality of mid-power surface mount LEDs delivering high flux and excellent efficiency.
- Passive cooling achieves L70 at 50,000 hours
- Integral connector for quick link to the housing flex

LED Module – Optics

- Reversible "Flip" Lens
 - "Flip" lens is reversible offering medium / wide beam options
 - Lens ships in medium beam. Twist-to-lock feature allows conversion to wide beam in the field without tools.
 - Micro-prismatic lens is precision molded optical polymer
- Louvered Wall Wash
 - Optional field installed wall wash kit offers 360° rotation, allowing the housing to be installed in any orientation.

LED Module - Reflector

- Integrated self-flanged reflector with LED array and lens
- Finish options: matte white, matte metallic silver, and dark bronze

LED Module - Retention

- Module/reflector is securely retained in the housing with (2) torsion springs holding the flange tightly to the ceiling

Driver

- Field replaceable constant current driver provides low noise operation
- UNV 120-277VAC 50/60Hz input standard
- Continuous 1% - 100% dimming with 0-10V analog controls
- Optional low voltage DC driver for use with DLVP distributed low voltage power system (see DLVP Design Guide / Brochure)

Emergency Option

- Available with 7 or 14 watt emergency battery pack with remote test switch / charge indicator light
- Provides 90 minutes of standby lighting meeting most life safety codes for egress
- Available Self-Test (self-diagnostic), with remote charge indicator and test switch

Connected Lighting System Options

Two WaveLinx connected systems to choose. Summary information provided below, refer to WaveLinx system specifications and application guides for details.

WaveLinx Wireless System Tilemount Sensor Kit

- WaveLinx Wireless WTA tile mount sensor kit offers daylight dimming, PIR motion sensing, scene and zone configuration, automatic commissioning; and optional RLTS - Real Time Location Services available.

WaveLinx Lite System Tilemount Sensor Kit

- WaveLinx Lite WTK tile mount sensor kit offers daylight dimming and PIR motion sensing, scene and grouping configuration.

WaveLinx Tilemount Kits Application

- The WTA and WTK tilemount kits include a control module mounted on the luminaire junction box via 1/2" knock-out, and a tilemount sensor on 54-inch whip; for ceiling installation by direct-mount spring clips or via mounting bracket in octagon ceiling boxes.
- The WTA and WTK tilemount kits may be ordered as factory installed on the luminaire, or ordered separately as a field installed accessory kit.

Junction Box

- Galvanized steel junction box
- 20 in³ internal volume excluding voltage barrier
- 25 in³ internal total volume
- Voltage divider for 0-10V dimming wires [occupies (1) 1/2" pry-out space]
- Listed for (8) #12 AWG (four in, four out) 90° C conductors and feed-thru branch wiring
- (3) 1/2" and (2) 3/4" trade size pry-outs available
- (3) 4-port push wire nuts for mains voltage, with 1-port used for fixture wiring

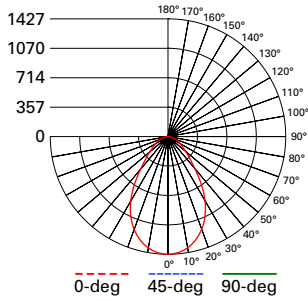
Compliance

- cULus Listed (US and Canada), wet location listed in protected ceilings
- IP20 - Above finished ceiling; IP65 - Below finished ceiling
- Field selectable 1000/1500/2000lm, 2000/3000/4000lm models, and fixed output 3000lm models are Non-IC rated, insulation must be kept 3" from top and sides
- Fixed output 1000lm and 1500lm models are Type IC thermally protected and suitable for direct contact to air permeable insulation (also suitable for Non-IC)
- Not for use in direct contact with spray foam insulation, consult NEMA LSD57-2013
- Airtight per ASTM-E283-04
- Suitable for use in clothes closets when installed in accordance of the NEC 410.16 spacing requirements
- EMI/RFI emissions FCC CFR Title 47 Part 15 Class A at 120/277V
- Contains no mercury or lead and RoHS compliant
- Photometric testing in accordance of IES LM-79-08
- Lumen maintenance projections in accordance of IES LM-80-08 and TM-21-11
- May be used to comply with State of California Title 24 non-residential code, as a dimmable LED luminaire
- ENERGY STAR® certified, see Certified Light Fixtures database

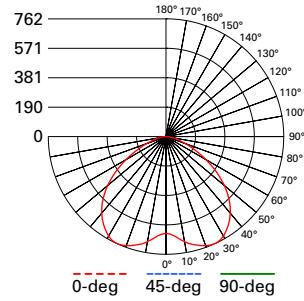
Warranty

- Five year limited warranty, consult website for details. www.cooperlighting.com/legal

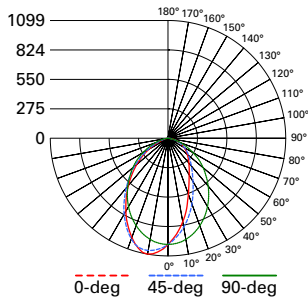
Photometric Data



PR4FS12D010 - PR4M12MD8FSMW
 Low lumen module, 2000 lumen, medium lens
 Spacing criterion: 1.01
 Lumens: 2135
 Input Watts: 19.8 W
 Efficacy: 107.8 LPW
 UGR: 21
 Test Report: PR4FS12D010 PR4M12MD8FSMW 2000Lm3500K.ies



PR4FS12D010 - PR4M12WD8FSMW
 Low lumen module, 2000 lumen, wide lens
 Spacing criterion: 1.61
 Lumens: 2177
 Input Watts: 19.8 W
 Efficacy: 109.9 LPW
 UGR: 24
 Test Report: PR4FS12D010 PR4M12WD8FSMW 2000Lm3500K.ies



PR4FS12D010 - PR4M12MD8FSMW - PR4WW
 Low lumen module - wall wash, 2000 lumen, wall wash accessory
 Spacing criterion: 1.12
 Lumens: 1845
 Input Watts: 19.8 W
 Efficacy: 93.2 LPW
 UGR: 23
 Test Report: PR4FS12D010 PR4M12WW8FSMW 2000Lm3500K.ies

SINGLE UNIT FOOTCANDLES

2.5' from wall (distance from fixture along wall)

1	15.8	12	6	2.5	1.1	0.5	0.2
2	17.2	14.3	8.8	4.7	2.4	1.2	0.7
3	12.8	11.3	8	5	2.9	1.7	1
4	8.9	8.1	6.3	4.4	2.9	1.9	1.2
5	6.3	5.9	4.9	3.7	2.6	1.8	1.2
6	4.6	4.3	3.8	3	2.3	1.7	1.2
7	3.4	3.3	2.9	2.4	2	1.5	1.1
8	2.6	2.5	2.3	2	1.6	1.3	1
9	2	2	1.8	1.6	1.4	1.1	0.9
10	1.6	1.6	1.5	1.3	1.1	1	0.8

MULTIPLE UNIT FOOTCANDLES

2.5' from wall (distance from fixture along wall)

3

2.5' from wall (distance from fixture along wall)

4

1	18.3	17.6	18.3	16.8	11.9	16.8
2	21.9	23.1	21.9	19.6	17.6	19.6
3	17.8	19.4	17.8	15.7	16	15.7
4	13.3	14.6	13.3	11.8	12.7	11.8
5	10	10.8	10	8.9	9.7	8.9
6	7.6	8.2	7.6	6.9	7.5	6.9
7	5.9	6.2	5.9	5.4	5.9	5.4
8	4.6	4.9	4.6	4.2	4.6	4.2
9	3.6	3.8	3.6	3.4	3.7	3.4
10	2.9	3	2.9	2.7	2.9	2.7

Photometric Multipliers - Selectable lumen 1000lm - 1500lm - 2000lm

1000 Lumen	1500 Lumen	2000 Lumen
0.47	0.62	1.00

Multipliers for nominal values with other series models

Color Finish Multipliers

Finish code	MW	MMS	BZ
Finish	Matte White	Matte Metallic Silver	Bronze
Multiplier	1.00	0.94	0.83

Multipliers for nominal values with other series models

CCT Multipliers - 80CRI - Selectable CCT 3000K - 3500K - 4000K

3000K	3500K	4000K
0.92	1.00	0.98

Multipliers for nominal values with other series models

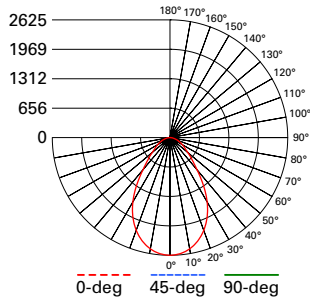
CCT Multipliers - 90CRI - Selectable CCT 3000K - 3500K - 4000K

3000K	3500K	4000K
0.93	1.00	0.97

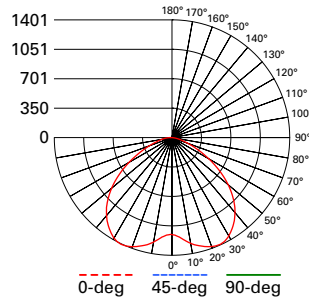
Multipliers for nominal values with other series models

Note: Refer to IES files for more product data.

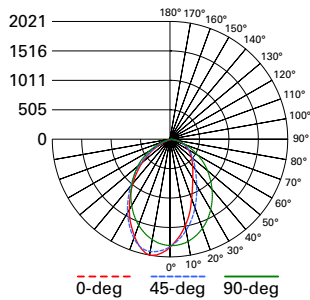
Photometric Data



PR4FS24D010 - PR4M24MD8FSMW
 High lumen module, 4000 lumen, medium lens
 Spacing criterion: 1.01
 Lumens: 3927
 Input Watts: 39 W
 Efficacy: 100.7 LPW
 UGR: 23
 Test Report: PR4FS24D010 PR4M24MD8FSMW 4000Lm3500K.ies



PR4FS24D010 - PR4M24MD8FSMW
 High lumen module, 4000 lumen, wide lens
 Spacing criterion: 1.61
 Lumens: 4004
 Input Watts: 39 W
 Efficacy: 102.7 LPW
 UGR: 25
 Test Report: PR4FS24D010 PR4M24WD8FSMW 4000Lm3500K.ies



PR4FS24D010 - PR4M24MD8FSMW - PR4WW
 High lumen module - wall wash, 2000 lumen, wall wash accessory
 Spacing criterion: 1.12
 Lumens: 3394
 Input Watts: 39 W
 Efficacy: 87 LPW
 UGR: 24
 Test Report: PR4FS24D010 PR4M24WW8FSMW 4000Lm3500K.ies

SINGLE UNIT FOOTCANDLES

2.5' from wall (distance from fixture along wall)

1	29	22.1	10.9	4.6	2	0.8	0.4
2	31.7	26.3	16.2	8.6	4.4	2.3	1.2
3	23.5	20.7	14.7	9.2	5.4	3.2	1.8
4	16.4	14.9	11.6	8.1	5.4	3.4	2.2
5	11.6	10.8	9	6.8	4.8	3.3	2.3
6	8.4	8	6.9	5.5	4.2	3.1	2.2
7	6.3	6	5.4	4.5	3.6	2.8	2.1
8	4.8	4.7	4.2	3.6	3	2.4	1.9
9	3.7	3.6	3.4	3	2.5	2.1	1.7
10	2.9	2.9	2.7	2.4	2.1	1.8	1.5

MULTIPLE UNIT FOOTCANDLES

2.5' from wall (distance from fixture along wall)

● — 3 — ●

2.5' from wall (distance from fixture along wall)

● — 4 — ●

1	33.7	32.3	33.7	31	21.9	31
2	40.3	42.6	40.3	36.1	32.5	36.1
3	32.7	35.8	32.7	28.9	29.4	28.9
4	24.5	26.8	24.5	21.7	23.3	21.7
5	18.4	19.9	18.4	16.4	17.9	16.4
6	14	15.1	14	12.6	13.8	12.6
7	10.8	11.5	10.8	9.9	10.8	9.9
8	8.4	8.9	8.4	7.8	8.5	7.8
9	6.7	7	6.7	6.3	6.7	6.3
10	5.4	5.6	5.4	5	5.4	5

Photometric Multipliers - Selectable lumen 2000lm-3000lm-4000lm

2000 Lumen	3000 Lumen	4000 Lumen
0.53	0.70	1.00

Multipliers for nominal values with other series models

Color Finish Multipliers

Finish code	MW	MMS	BZ
Finish	Matte White	Matte Metallic Silver	Bronze
Multiplier	1.00	0.94	0.83

Multipliers for nominal values with other series models

CCT Multipliers – 80CRI - Selectable CCT 3000K - 3500K - 4000K

3000K	3500K	4000K
0.90	1.00	0.96

Multipliers for nominal values with other series models

CCT Multipliers – 90CRI - Selectable CCT 3000K - 3500K - 4000K

3000K	3500K	4000K
0.91	1.00	0.95

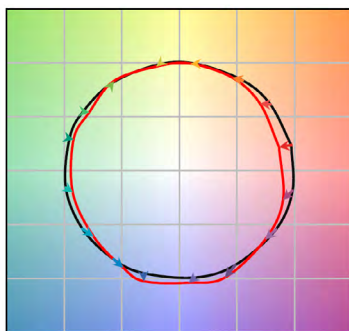
Multipliers for nominal values with other series models

Note: Refer to IES files for more product data.

Energy and Performance Data

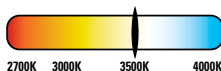
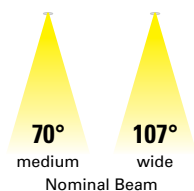
COLOR METRICS - TM-30-15 & CRI/CIE (3500K)

80 CRI & 90 CRI Color Metric Summary - Low Lumen / 3500K*

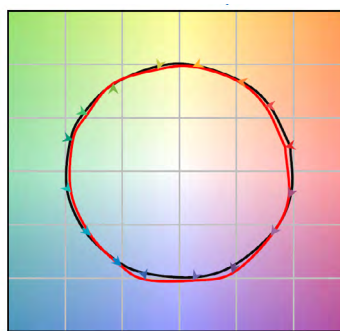


80 CRI	
TM-30-15	Rf = 82 Rg = 94
CRI/CIE	Ra = 83 R9 = 11
90 CRI	
TM-30-15	Rf = 90 Rg = 98
CRI/CIE	Ra = 95 R9 = 77

— Reference Illuminant — Test Source

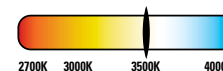
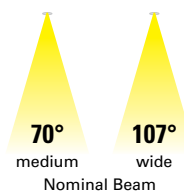


80 CRI & 90 CRI Color Metric Summary - High Lumen / 3500K*



80 CRI	
TM-30-15	Rf = 82 Rg = 94
CRI/CIE	Ra = 83 R9 = 10
90 CRI	
TM-30-15	Rf = 90 Rg = 98
CRI/CIE	Ra = 94 R9 = 74

— Reference Illuminant — Test Source



PR4FS12 LED MODULE LOW LUMEN RANGE

Series	1000 lumen		Series	1500 lumen		Series	2000 lumen	
Input Voltage 120-277VAC	120V	277V	Input Voltage 120-277VAC	120V	277V	Input Voltage 120-277VAC	120V	277V
Input Current (A)	0.089	0.043	Input Current (A)	0.112	0.052	Input Current (A)	0.178	0.079
Input Power (W)	10.5	11	Input Power (W)	13.4	13.8	Input Power (W)	21.3	21.4
In-rush (A)	8.9	22.2	In-rush (A)	9.9	24.8	In-rush (A)	8	19.1
In-rush Duration (ms)	0.145	0.118	In-rush Duration (ms)	0.198	0.107	In-rush Duration (ms)	0.185	0.133
THD (%)	<15.1	<16.7	THD (%)	<13.3	<15.5	THD (%)	<8.2	<10.6
PF	≥ 0.98	≥ 0.92	PF	≥ 0.98	≥ 0.94	PF	≥ 0.99	≥ 0.97
Minimum starting temperature -20°C (-4°F)*			Minimum starting temperature -20°C (-4°F)*			Minimum starting temperature -20°C (-4°F)*		
Sound Rating: Class A standards			Sound Rating: Class A standards			Sound Rating: Class A standards		

PR4FS24 LED MODULE HIGH LUMEN RANGE

Series	2000 lumen		Series	3000 lumen		Series	4000 lumen	
Input Voltage 120-277VAC	120V	277V	Input Voltage 120-277VAC	120V	277V	Input Voltage 120-277VAC	120V	277V
Input Current (A)	0.176	0.081	Input Current (A)	0.225	0.101	Input Current (A)	0.332	0.145
Input Power (W)	21	21.2	Input Power (W)	26.9	27	Input Power (W)	39.8	39.4
In-rush (A)	15.3	32.1	In-rush (A)	11.6	27.9	In-rush (A)	12.8	27.5
In-rush Duration (ms)	0.237	0.12	In-rush Duration (ms)	0.187	0.081	In-rush Duration (ms)	0.211	0.107
THD (%)	<11	<13.6	THD (%)	<9.05	<11.8	THD (%)	<5.9	<8.8
PF	≥ 0.99	≥ 0.94	PF	≥ 0.99	≥ 0.96	PF	≥ 0.99	≥ 0.98
Minimum starting temperature -20°C (-4°F)*			Minimum starting temperature -20°C (-4°F)*			Minimum starting temperature -20°C (-4°F)*		
Sound Rating: Class A standards			Sound Rating: Class A standards			Sound Rating: Class A standards		

Notes:

* Emergency Battery packs are rated for a minimum starting temperature of 0°C.

Connected Systems

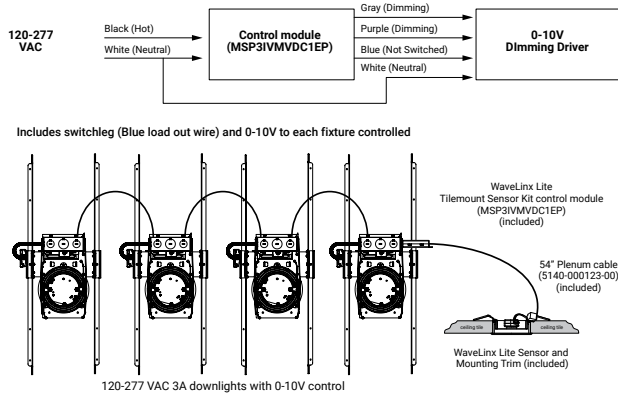
WaveLinX Lite - WTK Tilemount Sensor



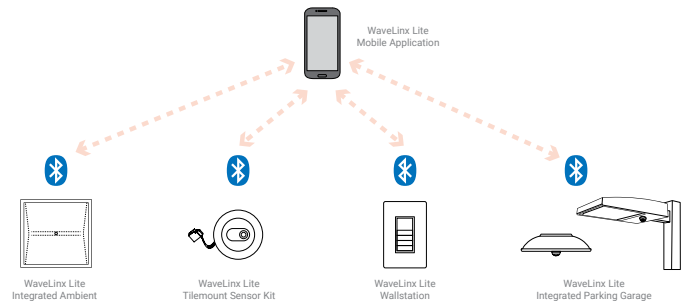
- Intuitive Android™ or Apple® iOS® app for basic system code compliant set up and configuration via Bluetooth
- Up to 28 unique areas per project site (WaveLinX Lite Bluetooth network)
- Up to 50 devices for an area, any one of 16 control zones, up to 6 occupancy sets, and custom lighting scenes
- Automatic occupancy or vacancy, sensor sensitivity, daylight dimming, etc. configurable through the app
- Refer to the WaveLinX system specifications for details



WaveLinX Lite WTK Tilemount Wiring Diagram



WaveLinX Lite Bluetooth Enabled System



WaveLinX Wireless – WTA Tilemount Sensor



- WaveLinX Wireless functionality configures zones and customizes settings from one secure mobile app
- Automatic code commissioning that meets the strictest codes
- Fixtures and sensors integrate with Wireless Area Controller, Wall Stations, and Control Devices
- Stand-Alone Offices or Entire Building Network Installations

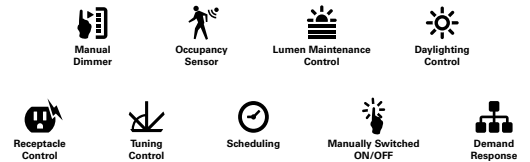
Downlights with tilemount sensor wireless communication
Highly efficient LED fixtures

Wireless Area Controller
Provides centralized coordination of multiple area control options

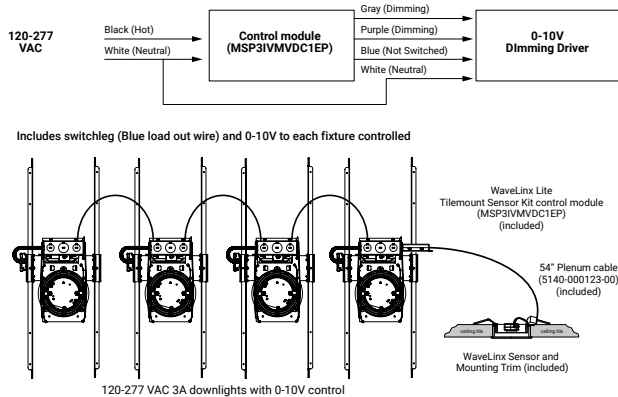
Wireless Wall Station/Receptacle
Provides customized wireless control of each area

Mobile Applications
Provides personalized, local control from a tablet or smartphone

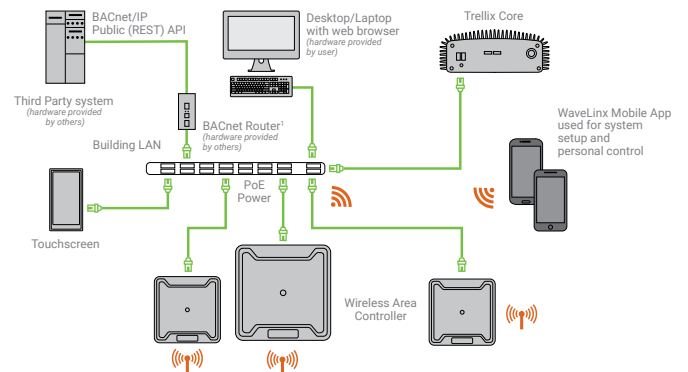
WaveLinX mobile app settings



WaveLinX Lite WTA Tilemount Wiring Diagram

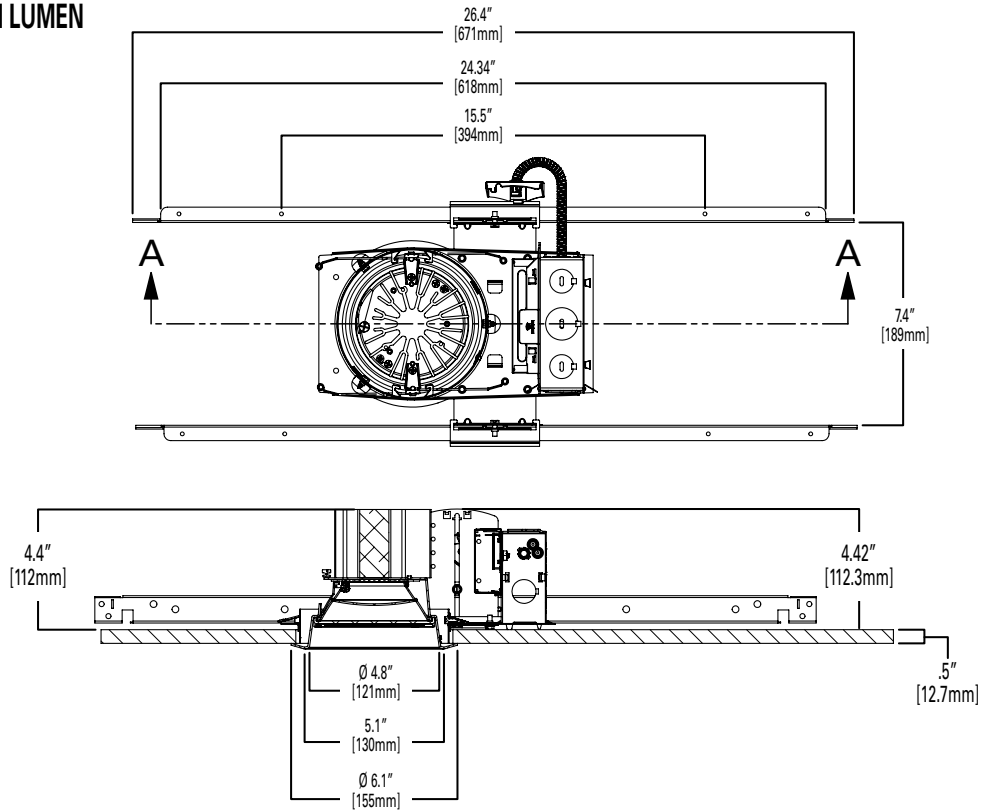


WaveLinX Wireless Trellix Building Management Integration



Dimensional Details

HIGH LUMEN



LOW LUMEN

