

Project		Catalog #		Type	
Prepared by		Notes		Date	



Greengate

0-10V Preset Slide Dimmer Wallstation

1200VA, 120/277 Volt AC 60Hz,
Single-Pole & 3-Way slide dimmer

Typical Applications

Private Offices • Conference Rooms • Small Auditoriums • Classrooms

Interactive Menu

- Order Information page 2
- Wiring Diagrams page 3
- Product Warranty

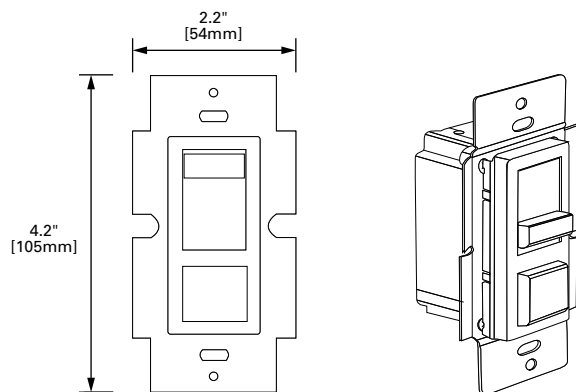
Product Certification



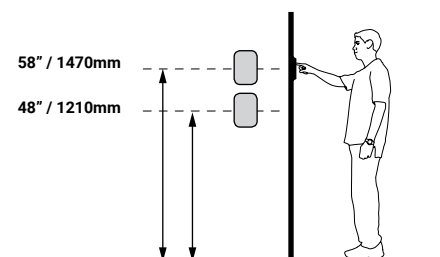
Top Product Features

- Momentary switch controls 0-10V Fluorescent and LED loads
- Single pole and 3-way wiring
- Class 1 or Class 2 wiring capabilities
- Works with the SP20-RD4 or directly controls the load
- Color change kit included (White, Ivory, Light Almond)
- Wallplate ordered separately

Dimensional Details



Mounting Height



Order Information

Catalog Number

Catalog Number	Description
WBSD-010M-C1	120/277 VAC, 28m A sink current, w/White, Ivory and Almond faceplate color kit
Notes * Wallplate not included: This is an accessory for the Greengate Lighting Control System.	

Compatible Products

Catalog Number

Catalog Number	Description
SP20-RD4	20A switchpack
DLC-DP-DIM	0-10V direct connect photosensor

Product Specifications

Mechanical

Size: 4.2" x 2.1" x 1.8" (105mm x 54mm x 46mm)

Environment:

- **Operating temperature:** 32°F to 131°F (0°C to 55°C)
- **Relative humidity operating:** non-condensing 20% to 90%
- For dry location only

Mounting: standard decorator opening

Color: Color change kit included (White, Ivory, Light Almond)

Housing: Injection molded housing resin complies with UL 94V-2

Connections: Screw terminals

Electrical

Power:

- 120VAC, 1200VA, 60Hz
- 277VAC, 1500VA, 60Hz
- 10A LED @ 120/277VAC, 60Hz
- 0-10VDC: 28mA Sink Capacity

Wiring type:

- Single pole and 3-way wiring
- Class 1 or Class 2 wiring capabilities
- Works with the SP20-RD4 or directly controls the load

Standards/Ratings

- cCSAus

Warranty

Five year warranty

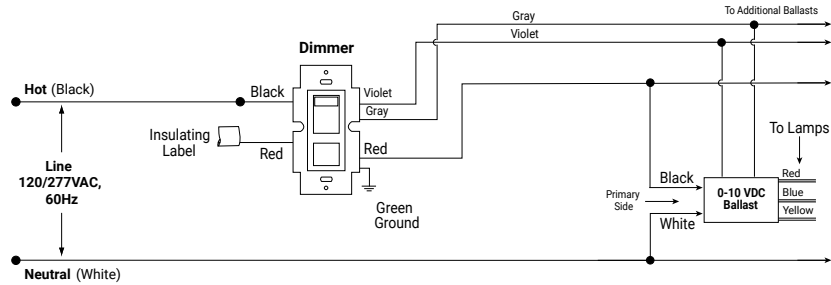
Overview

The 0-10V Decorator Dimmer provides full-range classic linear-slide dimming for 0-10 Volt compatible dimmable light sources. These units are ideal for light commercial applications and are compatible with decorator style devices and wallplates. Units feature a preset "ON/OFF" switch that automatically returns controlled light(s) to a preset level without disturbing the brightness level. The device is designed for both Single-pole (one location) and 3-way (multi-location) applications.

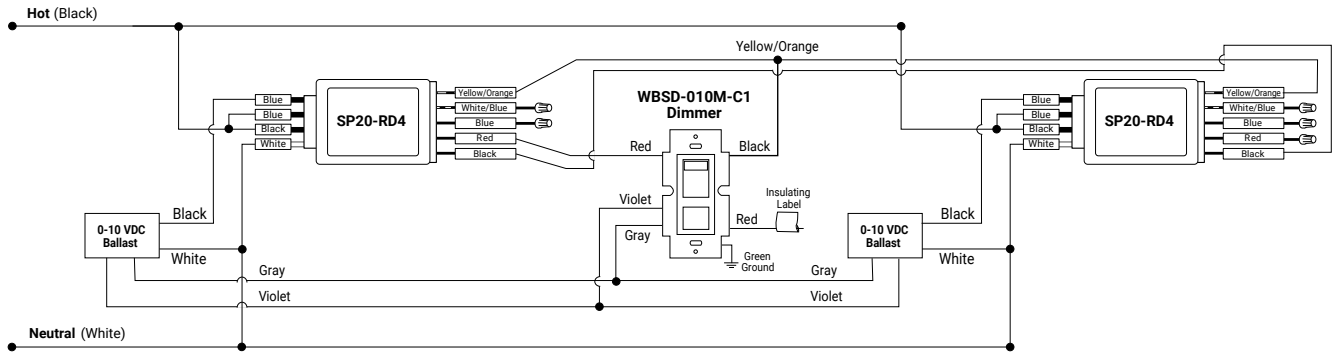
Wiring Diagrams

Lights turn ON to the brightness level set by the dimmers slide control lever. Lighting can be turned on from either the dimmer or a switch location if used in a three way installation.

Single Location Control

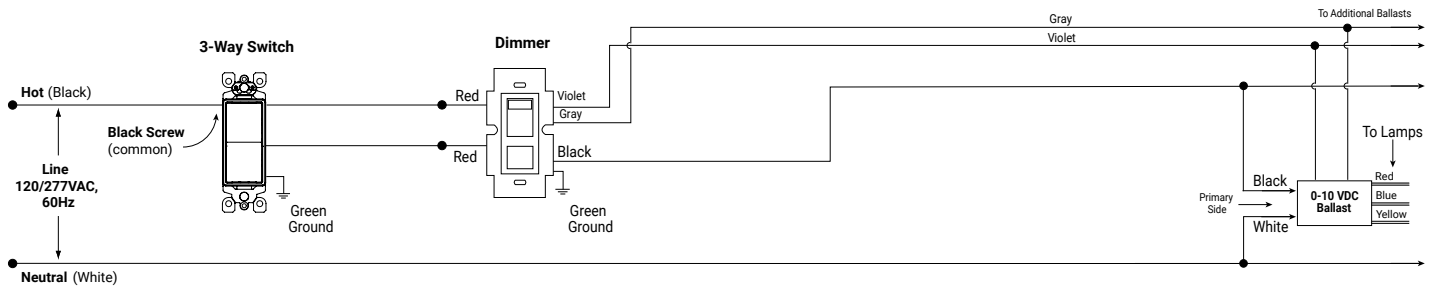


Single Location Control with SP20-RD4 switchpacks



Note: DLC-PD-DIM can be added to this configuration to provide continuous daylighting of the 0-10V loads. The device with the lowest 0-10V value will hold the lighting at that level.

Two Location Control



 **Control Systems**
• Greengate